

**VENTE - ACHAT - LOCATION - ECHANGE**

ELECTRICITE ET MECANIQUE INDUSTRIELLES  
MOTEURS TRIPHASES ET CONTINUS  
TRANSFORMATEURS H.T. ET B.T.,  
GROUPES ELECTROGENES

**SALE - PURCHASE - RENTAL - EXCHANGE**

INDUSTRIAL ELECTRICTY AND MECHANIC  
AC AND DC MOTORS  
TRANSFORMER HT AND LT  
GENERATOR

**AANKOOP - VERKOOP - VERHUUR - RUILEN**

ELECTICITEIT EN INDUSTRIELE MECANICA  
DRIEFASIGE EN GELIJKSTROOMMOTOREN  
TRANSFORMATOREN H.S. EN L.S.,  
STROOMAGGREGATEN

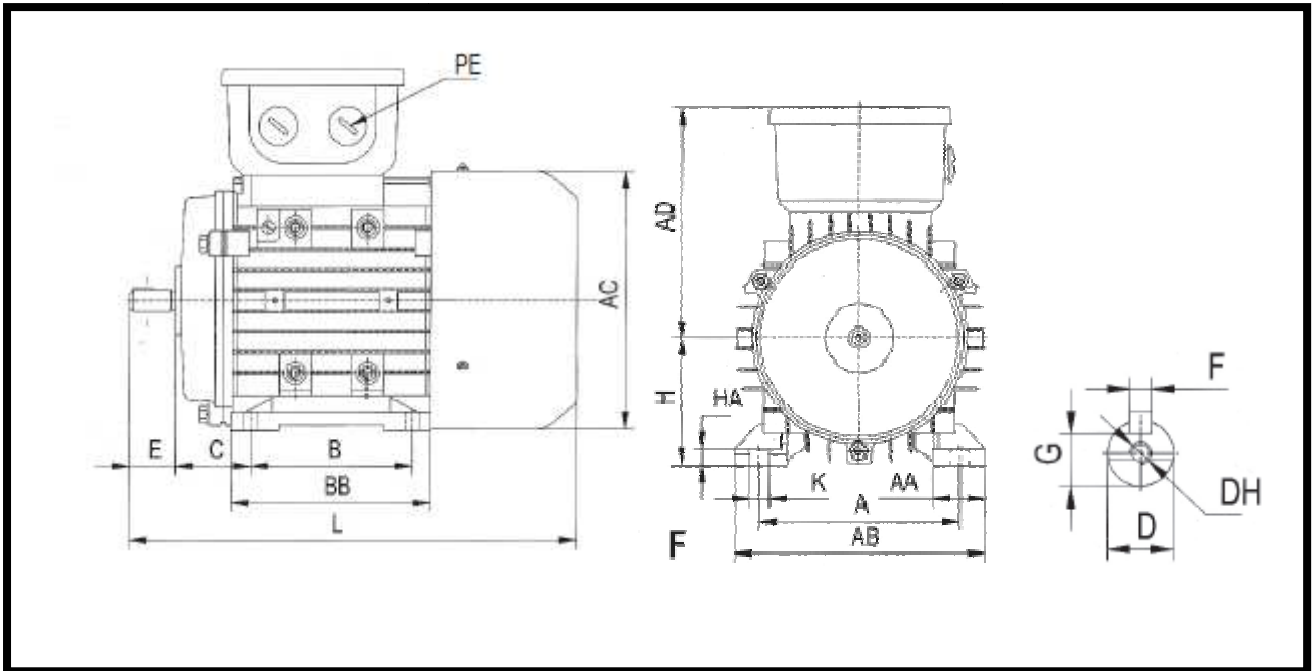
[info@focquet.be](mailto:info@focquet.be)

Tel : +32.2.255.82.10 / Fax : +32.2.253.05.93

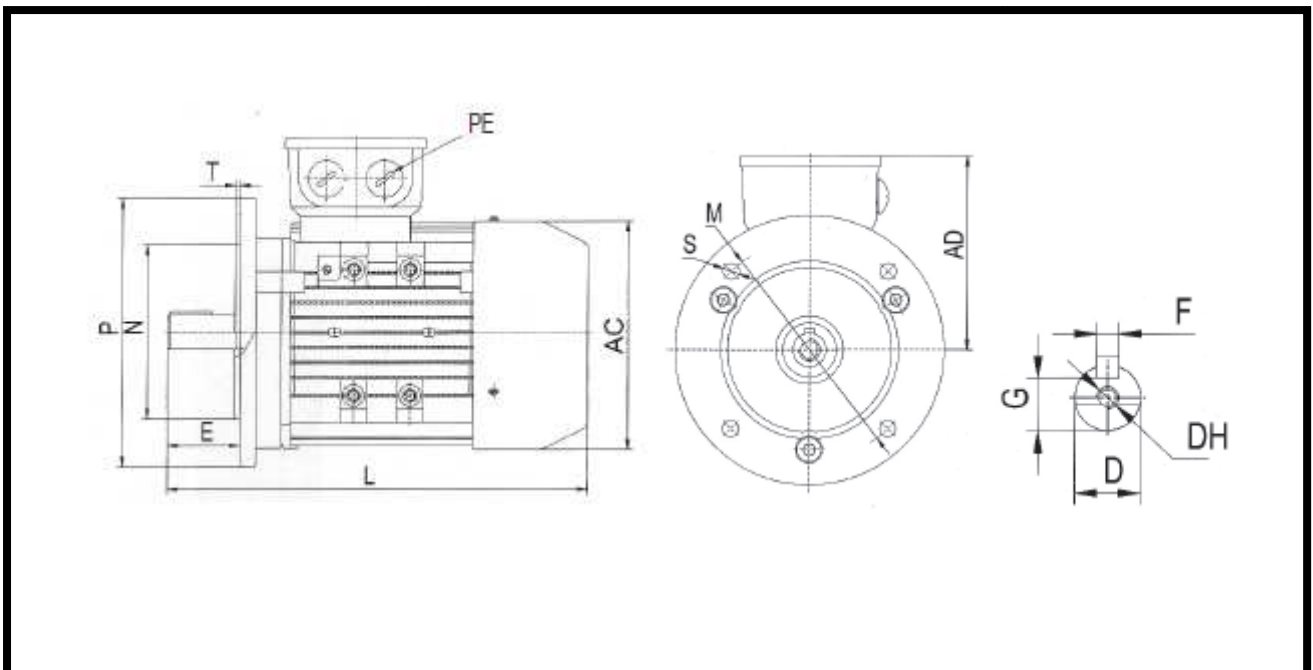
[www.focquet.be](http://www.focquet.be)

///////// ///////// /////////	<b>MOTEUR ALU A CAGE TRIPHASE NEUF 2EC™ - European Electric Company / NIEUW KORTSLUITANKER ALU MOTOR 2€C - European Electric Company / NEW SQUIRREL CAGE ALU MOTOR 2€C -European Electric Company /</b>
<b>Type</b>	<b>132 M</b>
<b>Puissance / Vermogen / Power</b>	<b>11 kW</b>
<b>Tension / Spanning / Voltage</b>	<b>230/400v</b>
<b>Vitesse / Snelheid/ Speed</b>	<b>2930 RPM</b>
<b>Forme de construction / Bouwvorm / Construction Form</b>	<b>B3 / B35 / B5</b>
<b>IP</b>	<b>55</b>
<b>Rendement/ Efficiency</b>	<b>88.5</b>
<b>Cos Phi</b>	<b>0.89</b>
<b>Poids / Gewicht/ Weight</b>	<b>44.5 kg</b>
<b>Autres/ Anderen/ Others</b>	<b>Aluminium Class (e) : F Echauffement / Opwarming / Heating : B T-Box : orientable - au dessus / orienteerbaar - bovenop / swiveling- top Pattes démontables, demonteerbare voeten, dismountable feet.</b>

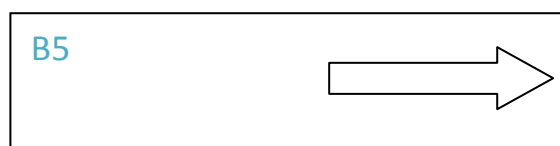
### B3



### B5



Frame	Mounting Dimensions																			
////	A	AA	AB	BB	HA	AC	AD	B	C	D	DH	E	F	G	H	K	PE	PG	L	LD
<b>56</b>	90	23	111	88	7	113	96	71	36	9	M4X12	20	3	7.2	56	5.8X8.3	1-M20X1.5	1-PG11	199	63
<b>63</b>	100	24	123	100	7	120	102	80	40	11	M4X12	23	4	8.5	63	7X9.5	1-M20X1.5	1-PG11	217	72.5
<b>71</b>	112	26	138	110	8	136	109	90	45	14	M5X12	30	5	11	71	7X11	1-M20X1.5	1-PG11	245	80.5
<b>80</b>	125	35	157	125	9	155	124	100	50	19	M6X16	40	6	15.5	80	10X14	1-M25X1.5	1-PG16	287	78
<b>90S</b>	140	37	173	125	10	175	137	100	56	24	M8X19	50	8	20	90	10X14	1-M25X1.5	1-PG16	310	86
<b>90L</b>	140	37	173	150	10	175	137	125	56	24	M8X19	50	8	20	90	10X14	1-M25X1.5	1-PG16	335	86
<b>100L</b>	160	40	196	172	11	195	151	140	63	28	M10X22	60	8	24	100	12X16	1-M32X1.5	1-PG21	383	84
<b>112M</b>	190	41	227	180	12	219	169	140	70	28	M10X22	60	8	24	112	12X16	2-M32X1.5	2-PG21	401	92
<b>132S</b>	216	51	262	186	15	258	188	140	89	38	M12X28	80	10	33	132	12X16	2-M32X1.5	2-PG-21	475	100
<b>132M</b>	216	51	262	224	15	258	188	178	89	38	M12X28	80	10	33	132	12X16	2-M32X1.5	2-PG21	513	100
<b>160M</b>	254	55	304	260	18	315	242	210	108	42	M16X36	110	12	37	160	15X18	2-M40X1.5	2-PG29	609	158.5
<b>160L</b>	254	55	304	304	18	315	242	254	108	42	M16X36	110	12	37	160	15X18	2-M40X1.5	2-PG29	653	158.5
<b>180M</b>	279	75	350	315	18	355	272	241	121	48	M16X36	110	14	42.5	180	15	2-M32X1.5	2-PG29	765	161
<b>180L</b>	279	75	350	315	18	355	272	279	121	48	M16X36	110	14	42.5	180	15	2-M32X1.5	2-PG29	765	161
<b>200L</b>	318	100	398	355	24	355	272	305	121	55	M20X42	110	16	49	200	19	2-M32X1.5	2-PG36	790	186.5



Frame	Mounting Dimensions				
/////	M	N	P	S	T
<b>56</b>	100	80	120	7	3
<b>63</b>	115	95	140	10	3
<b>71</b>	130	110	160	10	3.5
<b>80</b>	165	130	200	12	3.5
<b>90S</b>	165	130	200	12	3.5
<b>90L</b>	165	130	200	12	3.5
<b>100L</b>	215	180	250	15	4.0
<b>112M</b>	215	180	250	15	4.0
<b>132S</b>	265	230	300	15	4.0
<b>132M</b>	265	230	300	15	4.0
<b>160M</b>	300	250	350	19	5.0
<b>160L</b>	300	250	350	19	5.0
<b>180M</b>	300	250	350	19	5.0
<b>180L</b>	300	250	350	19	5.0
<b>200L</b>	350	300	400	19	5.0